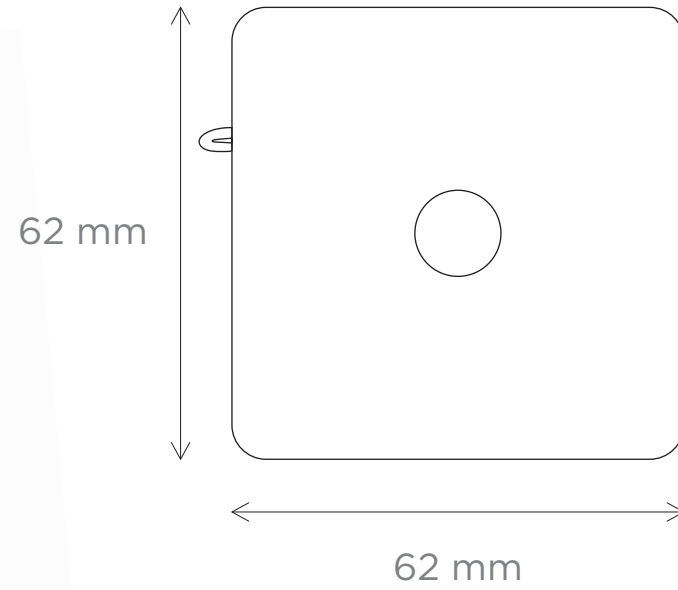


Shawl Pins &
Accessories
from *KnitPro*[®]

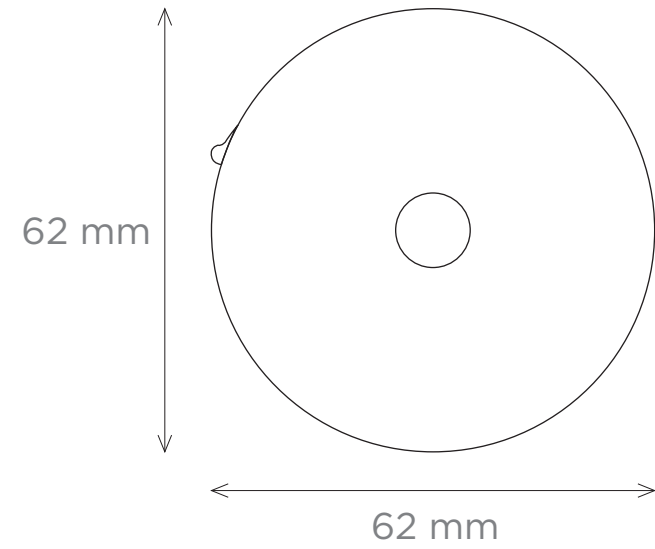
Tape Measure

Code : 11293



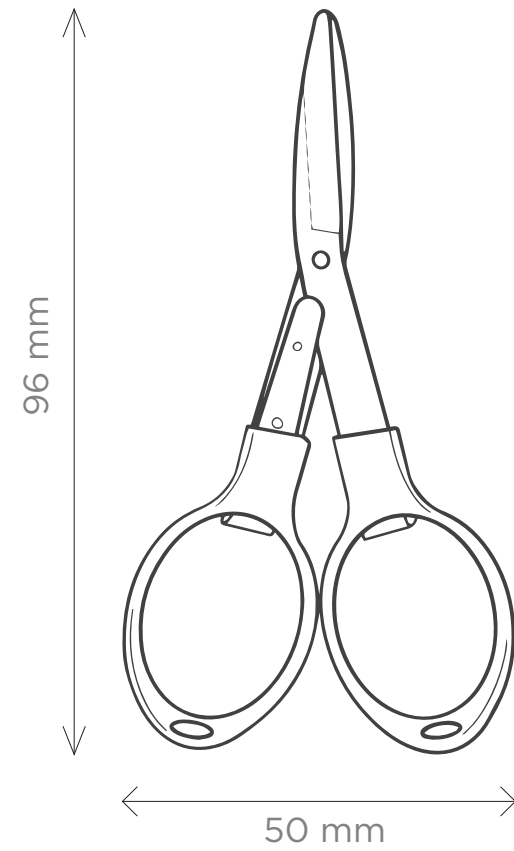
Tape Measure

Code : 11294



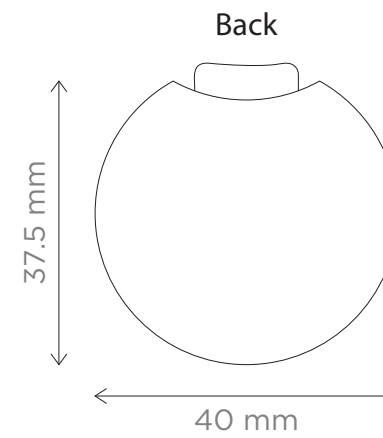
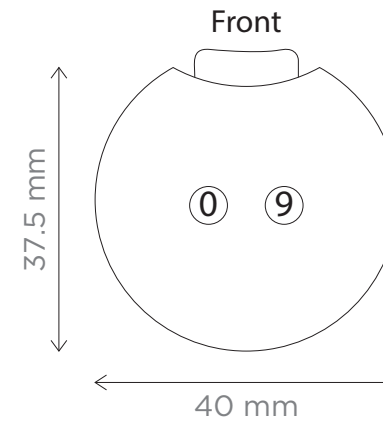
Folding Scissor

Code : 11286



Row Counter Clicky

Code : 10860



Shawl Pins

Utterly Butterfly
Code : 20934



Chirpy Parrot
Code : 20929



Sleepy Owl
Code : 20930



Shawl Pins

Tulip
Code : 20931



Lily
Code : 20932

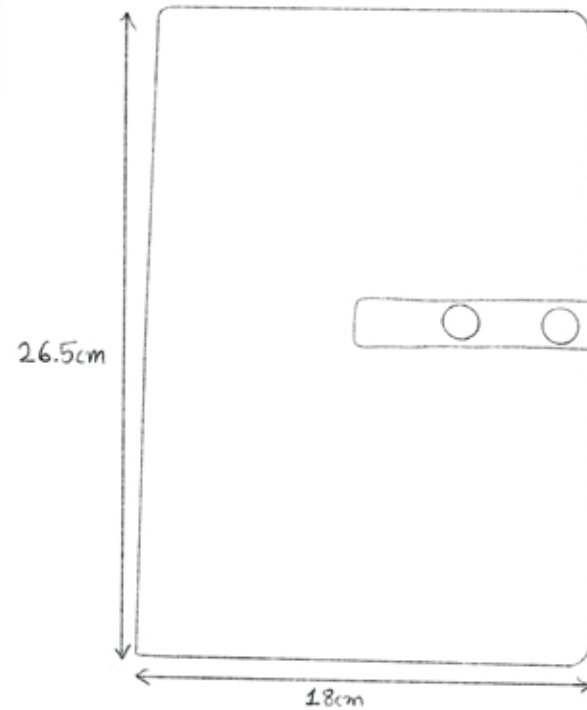


Lazy Bear
Code : 20933

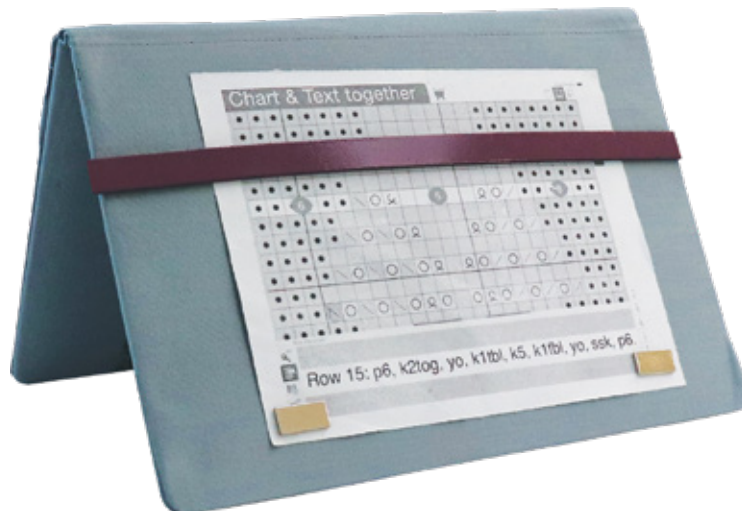


Passion Chart Keeper (Small)

Code : 11282

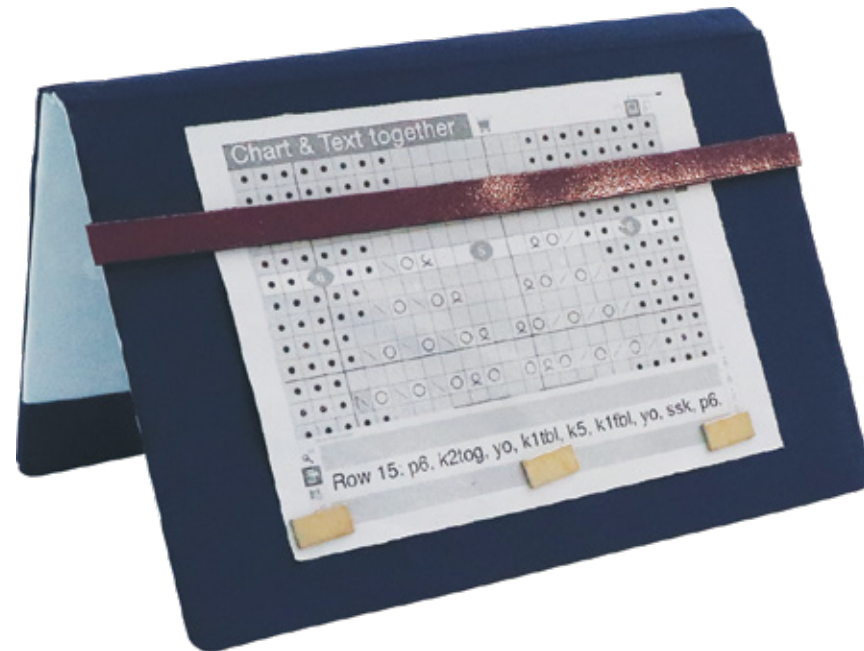


- Convenient tool for keeping patterns close and easy to read. Easy to fold and unfold for storage; Lays flat when folded
- Can stand upright when folded open, vertically or horizontally Snap closure insures that materials inside stay neat and put Extremely strong magnets keep patterns and/or charts in place



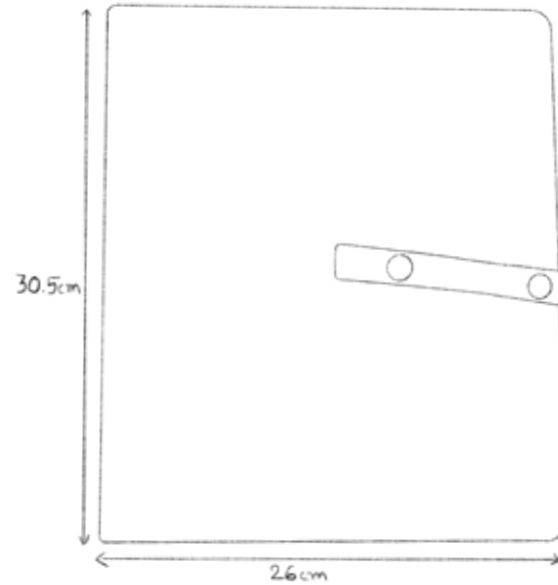
Blossom Chart Keeper (Small)

Code : 11284



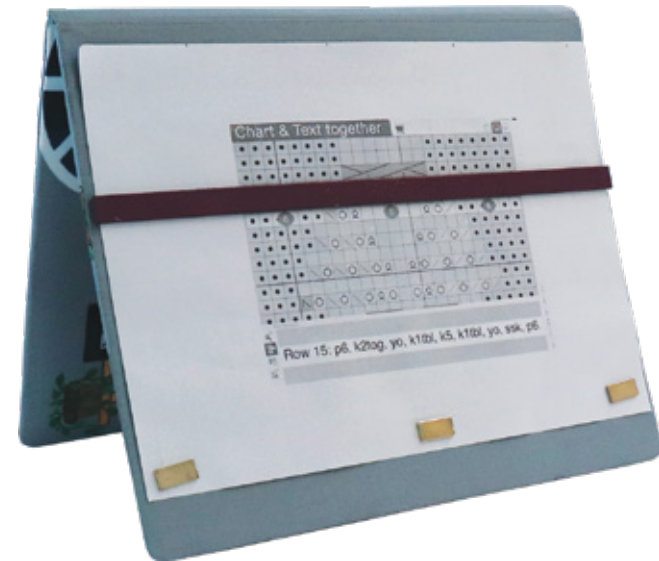
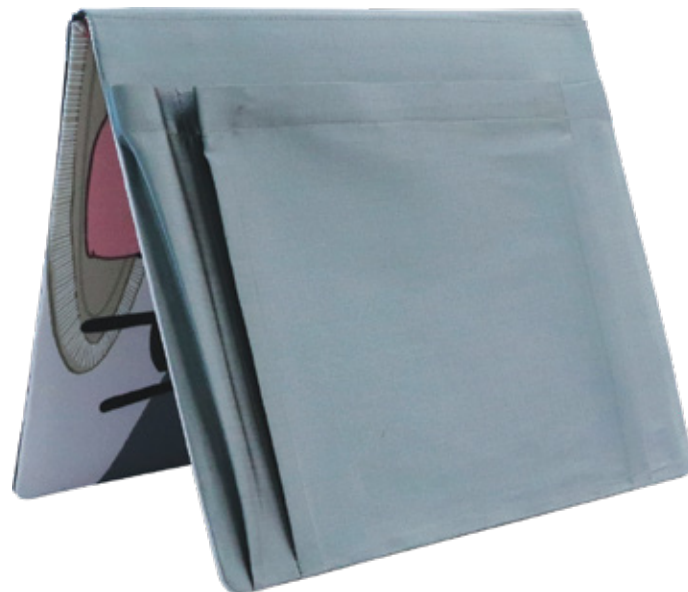
Passion Chart Keeper (Large)

Code : 11281



- Convenient tool for keeping patterns close and easy to read. Easy to fold and unfold for storage; Lays flat when folded

- Can stand upright when folded open, vertically or horizontally Snap closure insures that materials inside stay neat and put Extremely strong magnets keep patterns and/or charts in place



Blossom Chart Keeper (Large)

Code : 11283



Stitch Markers

Stitch Ring Markers
Code : 10897



Split Ring Markers
Code : 10898



Locking Stitch Markers
Code : 10899



Tapestry Needles
Code : 10900

